

Expansion and Contraction Values

Length (Meters) \ Installation Temperature (°C)										
	1	2.44	2.8	3	3.66	3.9	4	4.88	5.4	
10	1.2	3.9	4.5	4.8	5.9	6.2	6.4	7.8	8.6	Gap
15	1.4	3.4	3.9	4.2	5.1	5.5	5.6	6.8	7.6	
20	1.2	2.9	3.4	3.6	4.4	4.7	4.8	5.9	6.5	
25	1	2.4	2.8	3	3.7	3.9	4	4.9	5.4	
30	0.8	2	2.2	2.4	2.9	3.1	3.2	3.9	4.3	
35	0.6	1.5	1.7	1.8	2.2	2.3	2.4	2.9	3.2	
40	0.4	1	1.1	1.2	1.5	1.6	1.6	2	2.2	
45	0.2	0.5	0.6	0.6	0.7	0.8	0.8	1	1.1	

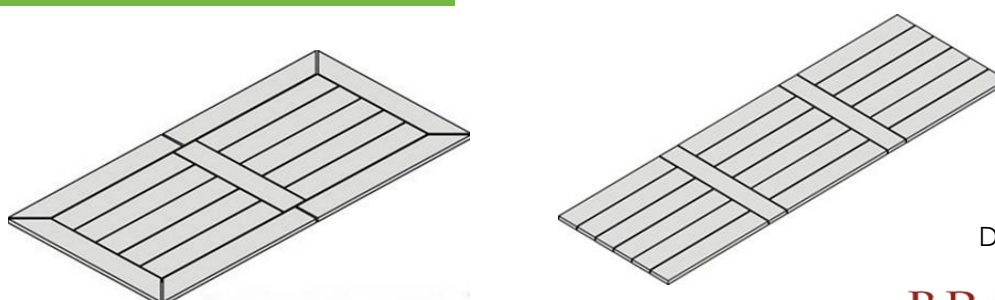
Note: We recommend acclimatizing the boards at least 2 days prior to installation to avoid potential unwanted contraction issues that may arise during or after installation. When acclimatizing the boards, it is important to lay them on an even and flat surface to avoid the possibility, in some environments, of the boards warping to the shape of the terrain.

Maximum Decking Spans on Centre-to-Centre			
Profile	Dimensions	Residential Span	Commercial Span
UH02, Grooved Hollow Board	138 x 22.5 mm	350 mm	N/A
US07, Solid Square Edge Board	138 x 22.5 mm	400 mm	350 mm
US49, Grooved Solid Board	138 x 25 mm	450 mm	350 mm
US48, Solid Square Edge Board	138 x 25 mm	450 mm	350 mm

** Please be aware that board widths may vary + or - 2mm.

Joist Spanning on Centre-to-Centre with Angled Decking Installations	
Degree of Angle	Spacing
90	Refer to the above tables
60	50 mm less than the stated above tables
45	100 mm less than the stated above tables
30	½ the distance stated in the above tables

Recommended Decking Layouts



DISTRIBUTED BY:



NEWTECHWOOD TC-16 CLIP INSTALLATION GUIDE



Newtechwood Clip Installation - Parts

PLEASE NOTE: This TC-16 Clip Installation Guide does NOT replace the full NewTechWood Decking Installation Guide, downloadable from newtechwood.com.au/technical-info.



TC-16 Hidden Fasteners



K37 Start/End Fastener



MG3 Clip



Solid Grooved – 138 x 25 mm



Fascia – 138 x 15 mm

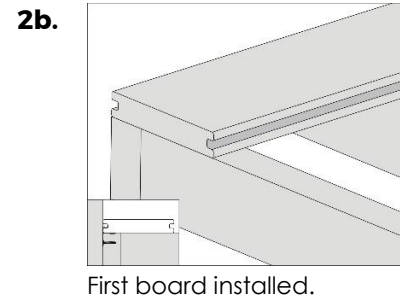
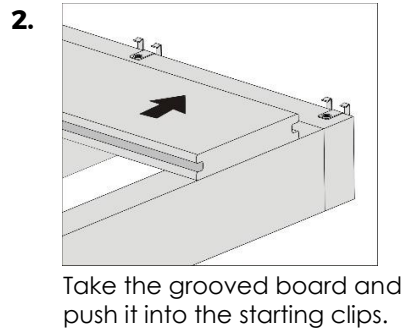
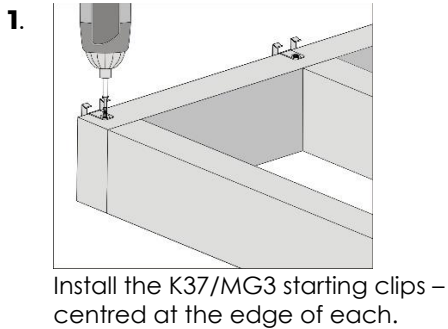


Solid – 138 x 25 mm

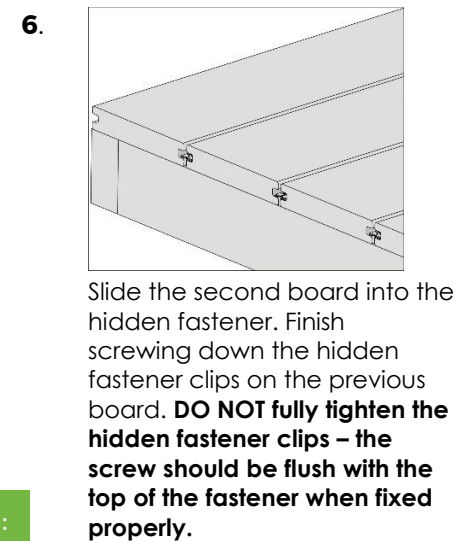
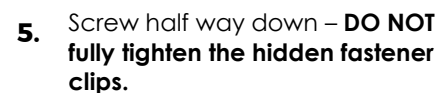
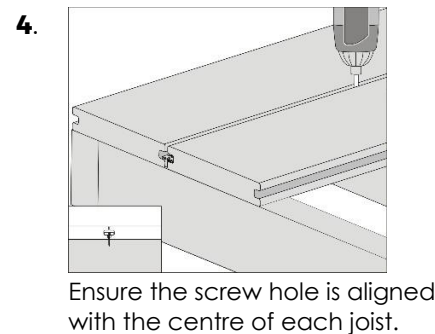
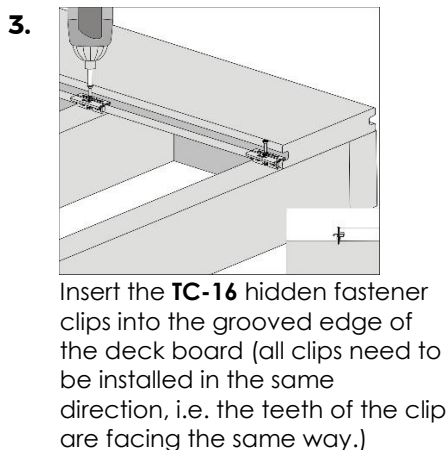


Hollow Grooved – 138 x 22.5 mm

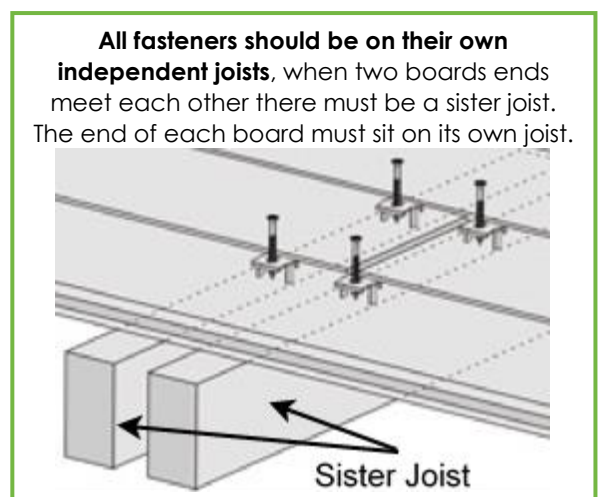
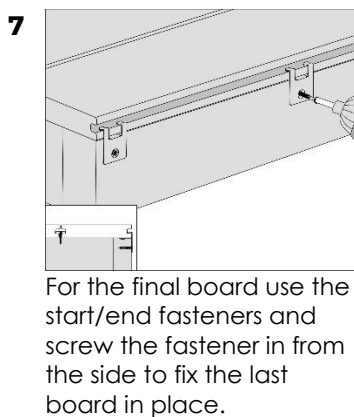
Installing Starting Clips & the First Board



Installing Hidden Fasteners



Repeat steps 3-6 to finish installing the remaining boards, then:



DISTRIBUTED BY:

